

REVISIONS

LTR	DESCRIPTION	DATE (YR-MO-DA)	APPROVED

REV																			
SHEET																			
REV																			
SHEET	15	16	17	18															

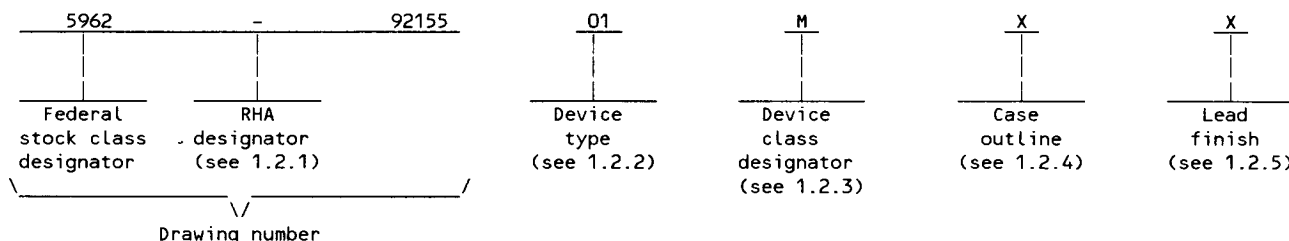
REV STATUS OF SHEETS	REV																		
	SHEET	1	2	3	4	5	6	7	8	9	10	11	12	13	14				

<p>PMIC N/A</p>	<p>PREPARED BY Gary L. Gross</p>	<p>DEFENSE ELECTRONICS SUPPLY CENTER DAYTON, OHIO 45444</p>		
<p>STANDARDIZED MILITARY DRAWING</p> <p>THIS DRAWING IS AVAILABLE FOR USE BY ALL DEPARTMENTS AND AGENCIES OF THE DEPARTMENT OF DEFENSE</p> <p>AMSC N/A</p>	<p>CHECKED BY Jeffery D. Bowling</p>	<p>MICROCIRCUIT, MEMORY, DIGITAL, CMOS REGISTERED 32K X 8-BIT PROM, MONOLITHIC SILICON</p>		
	<p>APPROVED BY Michael A. Frye</p>			
	<p>DRAWING APPROVAL DATE 93-03-19</p>	<p>SIZE A</p>	<p>CAGE CODE 67268</p>	<p>5962-92155</p>
	<p>REVISION LEVEL</p>	<p>SHEET 1 OF 18</p>		

1. SCOPE

1.1 Scope. This drawing forms a part of a one part - one part number documentation system (see 6.6 herein). Two product assurance classes consisting of military high reliability (device classes B, Q, and M) and space application (device classes S and V) and a choice of case outlines and lead finishes are available and are reflected in the Part or Identifying Number (PIN). Device class M microcircuits represent non-JAN class B microcircuits in accordance with 1.2.1 of MIL-STD-883, "Provisions for the use of MIL-STD-883 in conjunction with compliant non-JAN devices". When available, a choice of Radiation Hardness Assurance (RHA) levels are reflected in the PIN.

1.2 PIN. The PIN shall be as shown in the following example:



1.2.1 RHA designator. Device classes M, B, and S RHA marked devices shall meet the MIL-M-38510 specified RHA levels and shall be marked with the appropriate RHA designator. Device classes Q and V RHA marked device shall meet the MIL-I-38535 specified RHA levels and shall be marked with the appropriate RHA designator. A dash (-) indicates a non RHA device.

1.2.2 Device types. The device types shall identify the circuit function as follows:

Device type	Generic number 1/	Circuit function	Access time
01		32K X 8-bit registered PROM	50 ns
02		32K X 8-bit registered PROM	40 ns

1.2.3 Device class designator. The device class designator shall be a single letter identifying the product assurance level as follows:

Device class	Device requirements documentation
M	Vendor self-certification to the requirements for non-JAN class B microcircuits in accordance with 1.2.1 of MIL-STD-883
B or S	Certification and qualification to MIL-M-38510
Q or V	Certification and qualification to MIL-I-38535

1.2.4 Case outline(s). The case outline(s) shall be as designated in MIL-STD-1835 and as follows:

Outline letter	Descriptive designator	Terminals	Package style
X	CDIP3-T28 or GDIP4-T28	28	Dual-in-line package
Y	CQCC1-N32	32	Rectangular leadless chip carrier package
Z	GDFP2-F28	28	Flat package

1.2.5 Lead finish. The lead finish shall be as specified in MIL-M-38510 for classes M, B, and S or MIL-I-38535 for classes Q and V. Finish letter "X" shall not be marked on the microcircuit or its packaging. The "X" designation is for use in specifications when lead finishes A, B, and C are considered acceptable and interchangeable without preference.

1/ Generic numbers are listed on the Standardized Military Drawing Source Approval Bulletin at the end of this document and will also be listed in MIL-BUL-103.

STANDARDIZED MILITARY DRAWING DEFENSE ELECTRONICS SUPPLY CENTER DAYTON, OHIO 45444	SIZE A		5962-92155
		REVISION LEVEL	SHEET 2

1.3 Absolute maximum ratings. 1/

Supply voltage range to ground potential (V_{CC}) -0.5 V dc to +7.0 V dc
 DC voltage applied to the outputs in the high Z state . . -0.5 V dc to +7.0 V dc
 DC input voltage -3.0 V dc to +7.0 V dc
 DC program voltage 13.0 V dc
 Maximum power dissipation 1.0 W 2/
 Lead temperature (soldering, 10 seconds) +260°C
 Thermal resistance, junction-to-case (θ_{JC}) See MIL-STD-1835
 Junction temperature (T_J) +175°C
 Storage temperature range (T_{STG}) -65°C to +150°C
 Temperature under bias -55°C to +125°C
 Data retention 10 years, minimum

1.4 Recommended operating conditions.

Supply voltage range (V_{CC}) +4.5 V dc minimum to +5.5 V dc maximum
 Ground voltage (GND) 0 V dc
 Input high voltage (V_{IH}) 2.0 V dc minimum
 Input low voltage (V_{IL}) 0.8 V dc maximum
 Case operating temperature range (T_C) -55°C to +125°C

1.5 Logic testing for device classes Q and V.

Fault coverage measurement of manufacturing logic tests (MIL-STD-883, test method 5012) XX percent 3/

2. APPLICABLE DOCUMENTS

2.1 Government specifications, standards, bulletin, and handbook. Unless otherwise specified, the following specifications, standards, bulletin, and handbook of the issue listed in that issue of the Department of Defense Index of Specifications and Standards specified in the solicitation, form a part of this drawing to the extent specified herein.

SPECIFICATIONS

MILITARY

- MIL-M-38510 - Microcircuits, General Specification for.
- MIL-I-38535 - Integrated Circuits, Manufacturing, General Specification for.

STANDARDS

MILITARY

- MIL-STD-480 - Configuration Control-Engineering Changes, Deviations and Waivers.
- MIL-STD-883 - Test Methods and Procedures for Microelectronics.
- MIL-STD-1835 - Microcircuit Case Outlines.

BULLETIN

MILITARY

- MIL-BUL-103 - List of Standardized Military Drawings (SMD's).

1/ Stresses above the absolute maximum rating may cause permanent damage to the device. Extended operation at the maximum levels may degrade performance and affect reliability.
 2/ Must withstand the added P_D due to short circuit test e.g.; I_{OS} .
 3/ When a Qualified Manufacturers' List (QML) source exists, a value will be provided.

STANDARDIZED MILITARY DRAWING DEFENSE ELECTRONICS SUPPLY CENTER DAYTON, OHIO 45444	SIZE A		5962-92155
		REVISION LEVEL	SHEET 3

HANDBOOK

MILITARY

MIL-HDBK-780 - Standardized Military Drawings.

(Copies of the specifications, standards, bulletin, and handbook required by manufacturers in connection with specific acquisition functions should be obtained from the contracting activity or as directed by the contracting activity.)

2.2 Non-Government publications. The following documents form a part of this document to the extent specified herein. Unless otherwise specified, the issues of the documents which are DoD adopted are those listed in the issue of the DODISS cited in the solicitation. Unless otherwise specified, the issues of documents not listed in the DODISS are the issues of the documents cited in the solicitation.

AMERICAN SOCIETY FOR TESTING AND MATERIALS (ASTM)

ASTM Standard F1192-88 - Standard Guide for the Measurement of Single Event Phenomena from Heavy Ion Irradiation of Semiconductor Devices.

(Applications for copies of ASTM publications should be addressed to the American Society for Testing and Materials, 1916 Race Street, Philadelphia, PA 19103).

ELECTRONICS INDUSTRIES ASSOCIATION (EIA)

JEDEC Standard No. 17 - A Standardized Test Procedure for the Characterization of Latch-up in CMOS Integrated Circuits.

(Applications for copies should be addressed to the Electronics Industries Association, 2001 Eye Street, N.W., Washington, DC 20006.)

(Non-Government standards and other publications are normally available from the organizations that prepare or distribute the documents. These documents also may be available in or through libraries or other informational services.)

2.3 Order of precedence. In the event of a conflict between the text of this drawing and the references cited herein, the text of this drawing shall take precedence.

3. REQUIREMENTS

3.1 Item requirements. The individual item requirements for device class M shall be in accordance with 1.2.1 of MIL-STD-883, "Provisions for the use of MIL-STD-883 in conjunction with compliant non-JAN devices" and as specified herein. The individual item requirements for device classes B and S shall be in accordance with MIL-M-38510 and as specified herein. For device classes B and S, a full electrical characterization table for each device type shall be included in this SMD. The individual item requirements for device classes Q and V shall be in accordance with MIL-I-38535, the device manufacturer's Quality Management (QM) plan, and as specified herein.

3.2 Design, construction, and physical dimensions. The design, construction, and physical dimensions shall be as specified in MIL-M-38510 for device classes M, B, and S and MIL-I-38535 for device classes Q and V and herein.

3.2.1 Case outlines. The case outlines shall be in accordance with 1.2.4 herein.

3.2.2 Terminal connections. The terminal connections shall be as specified on figure 1.

3.2.3 Truth table. The truth table shall be as specified on figure 2.

3.2.3.1 Unprogrammed devices. The truth table for unprogrammed devices for contracts involving no altered item drawing shall be as specified on figure 2 herein. When required in screening (see 4.2 herein) or qualification conformance inspection groups A, B, C, or D (see 4.4 herein), the devices shall be programmed by the manufacturer prior to test. A minimum of 50 percent of the total number of cells shall be programmed or at least 25 percent of the total number of cells to any altered item drawing.

3.2.3.2 Programmed devices. The truth table for programmed devices shall be as specified by an attached altered item drawing.

STANDARDIZED MILITARY DRAWING DEFENSE ELECTRONICS SUPPLY CENTER DAYTON, OHIO 45444	SIZE A		5962-92155
		REVISION LEVEL	SHEET 4

DESC FORM 193A
JUL 91

TABLE I. Electrical performance characteristics.

Test	Symbol	Conditions -55°C ≤ T _C ≤ +125°C 4.5 V ≤ V _{CC} ≤ 5.5 V unless otherwise specified	Group A subgroups	Device types	Limits		Unit
					Min	Max	
Output high voltage	V _{OH}	V _{CC} = 4.5 V, I _{OH} = -2 mA V _{IH} = 2.0 V, V _{IL} = 0.8 V	1, 2, 3	ALL	2.4		V
Output low voltage	V _{OL}	V _{CC} = 4.5 V, I _{OL} = 8 mA V _{IH} = 2.0 V, V _{IL} = 0.8 V	1, 2, 3	ALL		0.4	V
Input high voltage <u>1/</u>	V _{IH}		1, 2, 3	ALL	2.0		V
Input low voltage <u>1/</u>	V _{IL}		1, 2, 3	ALL		0.8	V
Input leakage current	I _{IX}	V _{CC} = 5.5 V V _{IN} = V _{CC} to GND	1, 2, 3	ALL	-10	10	μA
Output leakage current	I _{OZ}	V _{CC} = 5.5 V V _{OUT} = V _{CC} to GND <u>2/</u>	1, 2, 3	ALL	-40	40	μA
Output short circuit current <u>3/ 4/</u>	I _{OS}	V _{CC} = 5.5 V, V _{OUT} = GND	1, 2, 3	ALL	-20	-90	mA
Power supply current	I _{CC}	V _{CC} = 5.5 V, I _{OUT} = 0 mA, V _{IH} = 2.0 V, f = f _{MAX} <u>5/</u>	1, 2, 3	ALL		130	mA
Input capacitance <u>4/</u>	C _{IN}	V _{CC} = 5.0 V, V _{IN} = 2.0 V, T _A = +25°C, f = 1 MHz (See 4.4.1c)	4	ALL		10	pF
Output capacitance <u>4/</u>	C _{OUT}	V _{CC} = 5.0 V, V _{IN} = 2.0 V, T _A = +25°C, f = 1 MHz (See 4.4.1c)	4	ALL		10	pF
Functional tests		See 4.4.1d	7, 8A, 8B	ALL			
Address setup to ALE inactive	t _{AL}	See figures 3 and 4 and <u>6/</u>	9, 10, 11	ALL	10		ns
Address hold from ALE inactive	t _{LA}			01	15		ns
				02	10		

See footnotes at end of table.

STANDARDIZED MILITARY DRAWING DEFENSE ELECTRONICS SUPPLY CENTER DAYTON, OHIO 45444	SIZE A		5962-92155
		REVISION LEVEL	SHEET 5

DESC FORM 193A
JUL 91

TABLE I. Electrical performance characteristics - Continued.

Test	Symbol	Conditions -55°C ≤ T _C ≤ +125°C 4.5 V ≤ V _{CC} ≤ 5.5 V unless otherwise specified	Group A subgroups	Device types	Limits		Unit
					Min	Max	
Address pulse width	t _{LL}	See figures 3 and 4 and 6/	9, 10, 11	01	15		ns
				02	10		
Address setup to clock high	t _{SA}			01	50		
				02	40		
Address hold time from clock high	t _{HA}			ALL	0		
\bar{E}_S setup to clock high 3/	t _{SES}			ALL	15		
\bar{E}_S hold from clock high 3/	t _{HES}			ALL	10		
Output valid from clock high 3/	t _{CO}			01		25	
				02		20	
Clock pulse width	t _{PWC}			ALL	20		
Output low Z from clock high 4/ 7/	t _{LZC}			01		30	
				02		20	
Output high Z from clock high 4/ 7/ 9/	t _{HZC}	01		30			
		02		20			
Output low Z from \bar{E} low 4/ 8/	t _{LZE}	01		30			
		02		20			
Output high Z from \bar{E} high 4/ 8/ 9/	t _{HZE}	01		30			
		02		20			

- 1/ These are absolute values with respect to device ground and all overshoots and undershoots due to system or tester noise are included.
- 2/ For devices using the synchronous enable, the device must be clocked after applying these voltages to perform this measurement.
- 3/ For test purposes, not more than one output at a time should be shorted. Short circuit test duration should not exceed 1 second. V_{OUT} = 0.5 V has been chosen to avoid test problems caused by tester ground degradation.

STANDARDIZED MILITARY DRAWING DEFENSE ELECTRONICS SUPPLY CENTER DAYTON, OHIO 45444	SIZE A		5962-92155
		REVISION LEVEL	SHEET 6

DESC FORM 193A
 JUL 91

TABLE I. Electrical performance characteristics - Continued.

- 4/ Tested initially and after any design or process changes that affect that parameter, and therefore shall be guaranteed to the limits specified in table I.
- 5/ At $f = f_{max}$, address inputs are cycling at the maximum frequency of $1/t_{SA}$.
- 6/ AC tests are performed with input rise and fall times of 5 ns or less, timing reference levels of 1.5 V, input pulse levels of 0 to 3.0 V, and the output load on figure 3.
- 7/ Applies only when the synchronous E_S function is used.
- 8/ Applies only when the synchronous E function is used.
- 9/ Transition is measured at steady-state high level -500 mV or steady-state low level +500 mV on the output from the 1.5 V level on the input, $C_L = 5$ pF (including scope and jig). See figure 3.

3.3 Electrical performance characteristics and postirradiation parameter limits. Unless otherwise specified, the electrical performance characteristics, and postirradiation parameter limits are as specified in table I and shall apply over the full case operating temperature range.

3.4 Electrical test requirements. The electrical test requirements shall be the subgroups specified in table IIA. The electrical tests for each subgroup are defined in table I.

3.5 Marking. The part shall be marked with the PIN listed in 1.2 herein. Marking for device class M shall be in accordance with MIL-STD-883 (see 3.1 herein). In addition, the manufacturer's PIN may also be marked as listed in MIL-BUL-103. Marking for device classes B and S shall be in accordance with MIL-M-38510. Marking for device classes Q and V shall be in accordance with MIL-I-38535.

3.5.1 Certification/compliance mark. The compliance mark for device class M shall be a "C" as required in MIL-STD-883 (see 3.1 herein). The certification mark for device classes B and S shall be a "J" or "JAN" as required in MIL-M-38510. The certification mark for device classes Q and V shall be a "QML" as required in MIL-I-38535.

3.6 Certificate of compliance. For device class M, a certificate of compliance shall be required from a manufacturer in order to be listed as an approved source of supply in MIL-BUL-103 (see 6.7.3 herein). For device classes Q and V, a certificate of compliance shall be required from a QML-38535 listed manufacturer in order to supply to the requirements of this drawing (see 6.7.2 herein). The certificate of compliance submitted to DESC-EC prior to listing as an approved source of supply for this drawing shall affirm that the manufacturer's product meets, for device class M the requirements of MIL-STD-883 (see 3.1 herein), or for device classes Q and V, the requirements of MIL-I-38535 and the requirements herein.

3.7 Certificate of conformance. A certificate of conformance as required for device class M in MIL-STD-883 (see 3.1 herein) or device classes B and S in MIL-M-38510 or for device classes Q and V in MIL-I-38535 shall be provided with each lot of microcircuits delivered to this drawing.

3.8 Notification of change for device class M. For device class M, notification to DESC-EC of change of product (see 6.2 herein) involving devices acquired to this drawing is required for any change as defined in MIL-STD-480.

3.9 Verification and review for device class M. For device class M, DESC, DESC's agent, and the acquiring activity retain the option to review the manufacturer's facility and applicable required documentation. Offshore documentation shall be made available onshore at the option of the reviewer.

3.10 Microcircuit group assignment for device classes M, B, and S. Device classes M, B, and S devices covered by this drawing shall be in microcircuit group number 42 (see MIL-M-38510, appendix E).

3.10.1 Processing options. Since the device is capable of being programmed by either the manufacturer or the user to result in a wide variety of configurations, two processing options are provided for selection in the contract using an altered item drawing.

3.10.2 Unprogrammed device delivered to the user. All testing shall be verified through group A testing as defined in 3.2.3.1 and table IIA. It is recommended that users perform subgroups 7 and 9 after programming to verify the specific program configuration.

3.10.3 Manufacturer-programmed device delivered to the user. All testing requirements and quality assurance provisions herein, including the requirements of the altered item drawing, shall be satisfied by the manufacturer prior to delivery.

3.11 Serialization for device class S and V. All device class S devices shall be serialized in accordance with MIL-M-38510. Class V shall be serialized in accordance with MIL-I-38535.

STANDARDIZED MILITARY DRAWING DEFENSE ELECTRONICS SUPPLY CENTER DAYTON, OHIO 45444	SIZE A		5962-92155
		REVISION LEVEL	SHEET 7

DESC FORM 193A
JUL 91

Device types	ALL	
Case outlines	X,Z	Y
Terminal number	Terminal symbol	
1	A ₉	NC
2	A ₈	A ₉
3	A ₇	A ₈
4	A ₆	A ₇
5	A ₅	A ₆
6	A ₄	A ₅
7	A ₃	A ₄
8	A ₂	A ₃
9	A ₁	A ₂
10	A ₀	A ₁
11	O ₀	A ₀
12	O ₁	NC
13	O ₂	O ₀
14	GND	O ₁
15	O ₃	O ₂
16	O ₄	GND
17	O ₅	NC
18	O ₆	O ₃
19	O ₇	O ₄
20	$\overline{E/E}_S$	O ₅
21	CP	O ₆
22	ALE	O ₇
23	A ₁₄	$\overline{E/E}_S$
24	A ₁₃	CP
25	A ₁₂	ALE
26	A ₁₁	NC
27	A ₁₀	A ₁₄
28	V _{CC}	A ₁₃
29	---	A ₁₂
30	---	A ₁₁
31	---	A ₁₀
32	---	V _{CC}

FIGURE 1. Terminal connections.

STANDARDIZED MILITARY DRAWING DEFENSE ELECTRONICS SUPPLY CENTER DAYTON, OHIO 45444	SIZE A		5962-92155
		REVISION LEVEL	SHEET 8

DESC FORM 193A
JUL 91

Read modes

Mode	A ₁₄ -A ₀	\bar{E}/\bar{E}_S	CP	ALE	OUTPUTS
Read	A ₁₄ -A ₀	V _{IL}	V _{IH}	V _{IL}	O ₇ -O ₀
Output Disable	A ₁₄ -A ₀	V _{IH}	X	X	HIGH Z

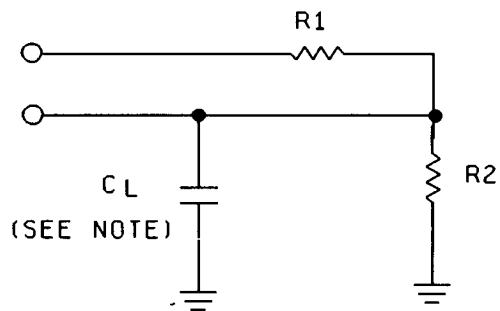
NOTE:

1. X can be V_{IL} or V_{IH}

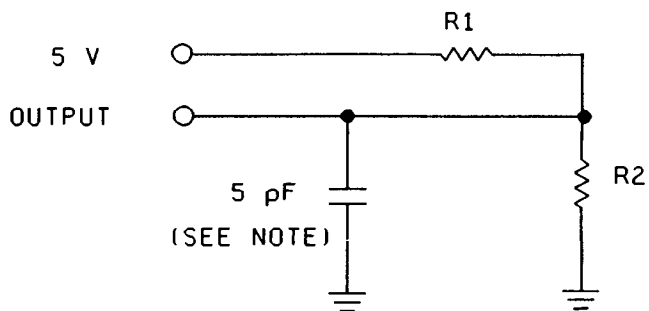
FIGURE 2. Truth table.

STANDARDIZED MILITARY DRAWING DEFENSE ELECTRONICS SUPPLY CENTER DAYTON, OHIO 45444	SIZE A		5962-92155
		REVISION LEVEL	SHEET 9

DESC FORM 193A
JUL 91



Circuit A
Output load



Circuit B
Output load for t_{HZC} and t_{HZE}

NOTE: Including scope and jig (minimum values).

Load	Circuit	
	A	B
R1	658	658
R2	403	403
C_L	30	5

AC test conditions

Input pulse levels	GND to 3.0 V
Input rise and fall times	≤ 5 ns
Input timing reference levels	1.5 V
Output reference levels	1.5 V

FIGURE 3. Output load circuit and test conditions.

STANDARDIZED
MILITARY DRAWING
DEFENSE ELECTRONICS SUPPLY CENTER
DAYTON, OHIO 45444

SIZE
A

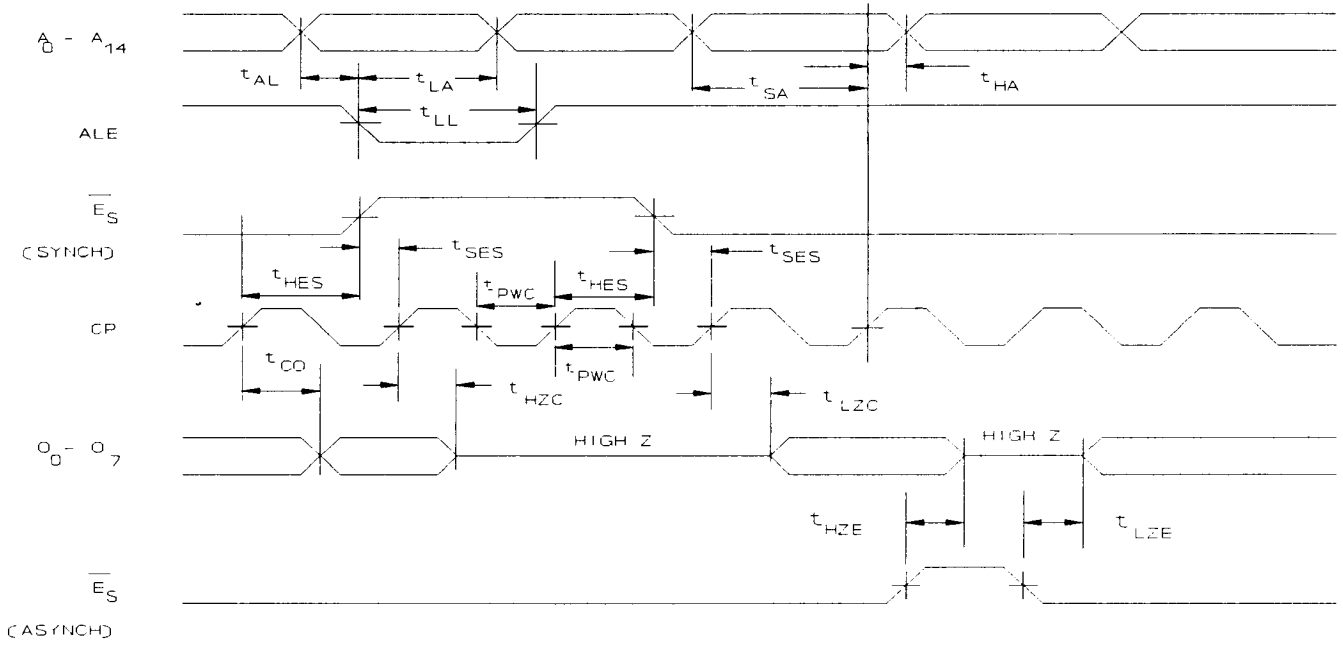
5962-92155

REVISION LEVEL

SHEET

10

Input Latched



Input Transparent

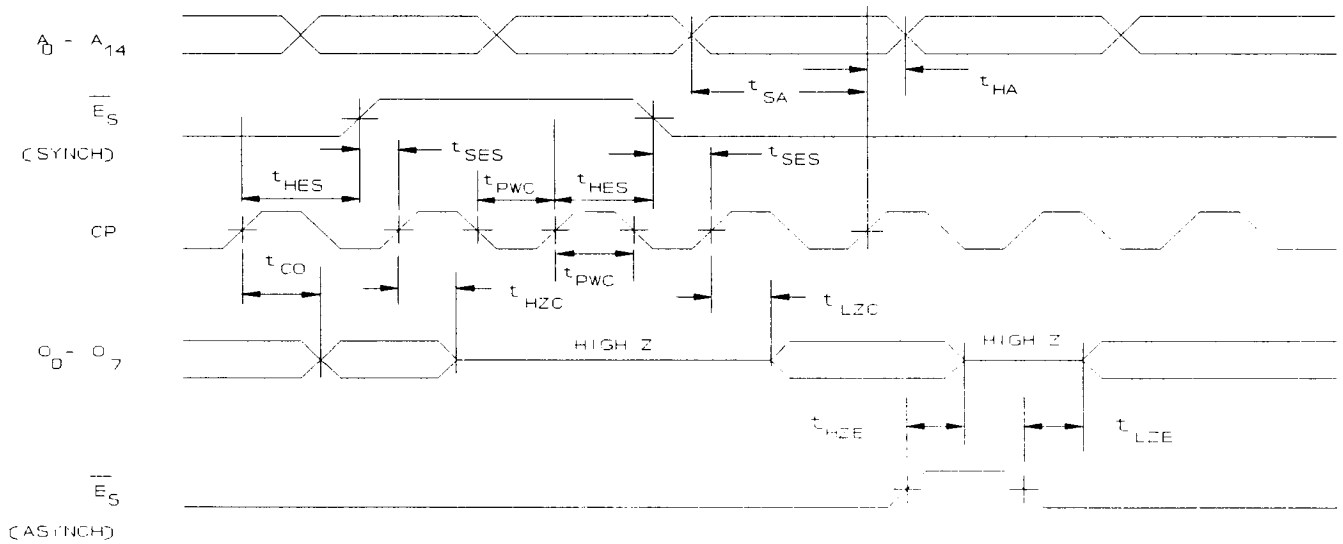


FIGURE 4. Switching waveforms.

STANDARDIZED MILITARY DRAWING DEFENSE ELECTRONICS SUPPLY CENTER DAYTON, OHIO 45444	SIZE A		5962-92155
		REVISION LEVEL	SHEET 11

DESC FORM 193A
 JUL 91

4. QUALITY ASSURANCE PROVISIONS

4.1 Sampling and inspection. For device class M, sampling and inspection procedures shall be in accordance with section 4 of MIL-M-38510 to the extent specified in MIL-STD-883 (see 3.1 herein). For device classes B and S, sampling and inspection procedures shall be in accordance with MIL-M-38510 and method 5005 of MIL-STD-883, except as modified herein. For device classes Q and V, sampling and inspection procedures shall be in accordance with MIL-I-38535 and the device manufacturers' QM plan.

4.2 Screening. For device class M, screening shall be in accordance with method 5004 of MIL-STD-883, and shall be conducted on all devices prior to quality conformance inspection. For device classes B and S, screening shall be in accordance with method 5004 of MIL-STD-883, and shall be conducted on all devices prior to qualification and quality conformance inspection. For device classes Q and V, screening shall be in accordance with MIL-I-38535, and shall be conducted on all devices prior to qualification and technology conformance inspection.

4.2.1 Additional criteria for device classes M, B, and S.

- a. Delete the sequence specified as initial (preburn-in) electrical parameters through interim (postburn-in) electrical parameters of method 5004 and substitute lines 1 through 6 of table IIA herein.
- b. For device class M, the test circuit shall be maintained by the manufacturer under document revision level control and shall be made available to the preparing or acquiring activity upon request. For device classes B and S, the test circuit shall be submitted to the qualifying activity. For device classes M, B, and S, the test circuit shall specify the inputs, outputs, biases, and power dissipation, as applicable, in accordance with the intent specified in test method 1015.

(1) Static burn-in for device class S (method 1015 of MIL-STD-883, test condition A).

- (a) All inputs shall be connected to GND. Outputs may be open or connected to 4.5 V minimum. Resistors R1 are optional on both inputs and outputs, and required on outputs connected to $V_{CC} \pm 0.5$ V. $R1 = 220\Omega$ to $47\text{ k}\Omega$. For static II burn-in, reverse all input connections (i.e., V_{SS} to V_{CC}).
- (b) $V_{CC} = 4.5$ V minimum.
- (c) Ambient temperature (T_A) shall be $+125^\circ\text{C}$ minimum.
- (d) Test duration for the static test shall be 48 hours minimum. The 48-hour burn-in shall be broken into two sequences of 24 hours each (static I and static II) followed by interim electrical measurements.

(2) Dynamic burn-in for device classes M, B, and S (method 1015 of MIL-STD-883, test condition D; for circuit, see 4.2.1b herein).

- c. Interim and final electrical parameters shall be as specified in table IIA herein.
- d. A data retention stress test shall be included as part of the screening procedure and shall consist of the following: (Steps 1 through 4 are performed at the wafer level.)
 - (1) Program 100 percent of the total number of cells, excluding the security bit.
 - (2) Bake, unbiased, for 72 hours at $+140^\circ\text{C}$ or for 48 hours at $+150^\circ\text{C}$ or for 8 hours at $+200^\circ\text{C}$, or 2 hours at $+300^\circ\text{C}$ for unassembled devices only.
 - (3) Perform margin test using $V_m = +5.7$ V at $+25^\circ\text{C}$ using loose timing (i.e., $t_{SA} \geq 1\ \mu\text{s}$).
 - (4) Erase.
- e. For classes S and B devices, post dynamic burn-in electrical parameter measurements may, at the manufacturer's option, be performed separately or included in the final electrical parameter requirements.

STANDARDIZED MILITARY DRAWING DEFENSE ELECTRONICS SUPPLY CENTER DAYTON, OHIO 45444	SIZE A		5962-92155
		REVISION LEVEL	SHEET 12

4.2.2 Additional criteria for device classes Q and V.

- a. The burn-in test duration, test condition, and test temperature or approved alternatives shall be as specified in the device manufacturer's QM plan in accordance with MIL-I-38535. The burn-in test circuit shall be maintained under document revision level control of the device manufacturer's Technology Review Board (TRB) in accordance with MIL-I-38535 and shall be made available to the acquiring or preparing activity upon request. The test circuit shall specify the inputs, outputs, biases, and power dissipation, as applicable, in accordance with the intent specified in test method 1015.
- b. Interim and final electrical test parameters shall be as specified in table IIA herein.
- c. Additional screening for device class V beyond the requirements of device class Q shall be as specified in appendix B of MIL-I-38535.

4.2.3 Percent defective allowable (PDA).

- a. The PDA for class S devices shall be 5 percent for static burn-in and 5 percent for dynamic burn-in, based on the exact number of devices submitted to each separate burn-in.
- b. The PDA for class B devices shall be in accordance with MIL-M-38510 for dynamic burn-in.
- c. Static burn-in I and II failures shall be cumulative for determining PDA.
- d. Those devices whose measured characteristics, after burn-in, exceed the specified delta limits or electrical parameter limits specified in table I, subgroup 1, are defective and shall be removed from the lot. The verified failures divided by the total number of devices in the lot initially submitted to burn-in shall be used to determine the percent defective for the lot and the lot shall be accepted or rejected based on the specified PDA.
- e. The PDA for device classes Q and V shall be in accordance with MIL-I-38535 for dynamic burn-in.

4.3 Qualification inspection.

4.3.1 Qualification inspection for device classes B and S. Qualification inspection for device classes B and S shall be in accordance with MIL-M-38510. Inspections to be performed shall be those specified in method 5005 of MIL-STD-883 and herein for groups A, B, C, D, and E inspections (see 4.4.1 through 4.4.5). Qualification data for subgroups 7, 8A, and 8B shall be attributes only.

4.3.1.1 Qualification extension for device classes B and S. When authorized by the qualifying activity, if a manufacturer qualifies one device type which is identical (i.e., same die) to other device types on this specification, the slower device types may be part I qualified, upon the request of the manufacturer, without any further testing. The faster device types may be part I qualified by performing only group A qualification testing.

4.3.2 Qualification inspection for device classes Q and V. Qualification inspection for device classes Q and V shall be in accordance with MIL-I-38535. Inspections to be performed shall be those specified in MIL-I-38535 and herein for groups A, B, C, D, and E inspections (see 4.4.1 through 4.4.5).

4.4 Conformance inspection. Quality conformance inspection for device class M shall be in accordance with MIL-STD-883 (see 3.1 herein) and as specified herein. Quality conformance inspection for device classes B and S shall be in accordance with MIL-M-38510 and as specified herein. Inspections to be performed for device classes M, B, and S shall be those specified in method 5005 of MIL-STD-883 and herein for groups A, B, C, D, and E inspections (see 4.4.1 through 4.4.5). Technology conformance inspection for classes Q and V shall be in accordance with MIL-I-38535 including groups A, B, C, D, and E inspections and as specified herein except where option 2 of MIL-I-38535 permits alternate in-line control testing.

STANDARDIZED MILITARY DRAWING DEFENSE ELECTRONICS SUPPLY CENTER DAYTON, OHIO 45444	SIZE A		5962-92155
		REVISION LEVEL	SHEET 13

DESC FORM 193A
JUL 91

4.4.1 Group A inspection.

- a. Tests shall be as specified in table IIA herein.
- b. Subgroups 5 and 6 in table I, method 5005 of MIL-STD-883 shall be omitted.
- c. Subgroup 4 (C_{IN} and C_{OUT} measurements) shall be measured only for initial qualification and after any process or design changes which may affect input or output capacitance. Capacitance shall be measured between the designated terminal and GND at a frequency of 1 MHz. Sample size is 15 devices with no failures, and all input and output terminals tested.
- d. For device class M, subgroups 7 and 8 tests shall be sufficient to verify the truth table. For device classes B and S, subgroups 7 and 8 tests shall be sufficient to verify the truth table as approved by the qualifying activity. For device classes Q and V, subgroups 7 and 8 shall include verifying the functionality of the device; these tests shall have been fault graded in accordance with MIL-STD-883, test method 5012 (see 1.5 herein).
- e. O/V (latch-up) tests shall be measured only for initial qualification and after any design or process changes which may affect the performance of the device. For device class M, procedures and circuits shall be maintained under document revision level control by the manufacturer and shall be made available to the preparing activity or acquiring activity upon request. For device classes B and S, the procedures and circuits shall be maintained under document revision control by the manufacturer and shall be made available to the qualifying activity upon request. For device classes Q and V, the procedures and circuits shall be under the control of the device manufacturer's TRB in accordance with MIL-I-38535 and shall be made available to the preparing activity or acquiring activity upon request. Testing shall be on all pins, on five devices with zero failures. Latch-up test shall be considered destructive. Information contained in JEDEC standard number 17 may be used for reference.
- f. Unprogrammed devices shall be tested for programmability and ac performance compliance to the requirements of group A, subgroups 9, 10, and 11. Either of two techniques is acceptable:
 - (1) Testing the entire lot using additional built-in test circuitry which allows the manufacturer to verify programmability and ac performance without programming the user array. If this is done, the resulting test patterns shall be verified on all devices during subgroups 9, 10, and 11, group A testing in accordance with the sampling plan specified in MIL-STD-883, method 5005.
 - (2) If such compliance cannot be tested on an unprogrammed device, a sample shall be selected to satisfy programmability requirements prior to performing subgroups 9, 10, and 11. Twelve devices shall be submitted to programming (see 3.2.3.2). If more than two devices fail to program, the lot shall be rejected. At the manufacturer's option, the sample may be increased to 24 total devices with no more than 4 total device failures allowable. Ten devices from the programmability sample shall be submitted to the requirements of group A, subgroups 9, 10, and 11. If more than two devices fail, the lot shall be rejected. At the manufacturer's option, the sample may be increased to 20 total devices with no more than 4 total device failures allowable.

4.4.2 Group B inspection. The group B inspection end-point electrical parameters shall be as specified in table IIA herein. For device class S steady-state life tests, the test circuit shall be submitted to the qualifying activity.

- a. For device class S, steady-state life test circuits shall be conducted using test condition D and the circuit described in 4.2.1c herein, or equivalent as approved by the qualifying activity.
- b. For device class S only, end-point electrical parameters shall be as specified in table IIA herein. Delta limits shall apply only to subgroup 5 of group B inspections and shall consist of tests specified in table IIB herein.

4.4.3 Group C inspection. The group C inspection end-point electrical parameters shall be as specified in table IIA herein. Delta limits shall apply only to subgroup 1 of group C inspection and shall consist of tests specified in table IIB herein.

STANDARDIZED MILITARY DRAWING DEFENSE ELECTRONICS SUPPLY CENTER DAYTON, OHIO 45444	SIZE A		5962-92155
		REVISION LEVEL	SHEET 14

DESC FORM 193A
 JUL 91

TABLE IIA. Electrical test requirements. 1/ 2/ 3/ 4/ 5/ 6/ 7/ 8/

Line no.	Test requirements	Subgroups (in accordance with MIL-STD-883, method 5005, table I)			Subgroups (in accordance with MIL-I-38535, table III)	
		Device class M	Device class B	Device class S	Device class Q	Device class V
1	Interim electrical parameters (see 4.2)		1,7,9 or 2,8A,10	1,7,9 or 2,8A,10		1,7,9 or 2,8A,10
2	Static burn-in I and II (method 1015)	Not required	Not required	Required	Not required	Required
3	Same as Line 1			1*,7* Δ		1*,7* Δ
4	Dynamic burn-in (method 1015)	Required	Required	Required	Required	Required
5	Same as Line 1			1*,7* Δ		1*,7* Δ
6	Final electrical parameters (programmed devices)	1*,2,3,7*, 8A,8B,9,10, 11	1*,2,3,7*, 8A,8B,9,10, 11	1*,2,3,7*, 8A,8B,9,10, 11	1*,2,3,7*, 8A,8B,9,10, 11	1*,2,3,7*, 8A,8B,9,10, 11
6A	Final electrical parameters (unprogrammed devices)	1*,2,3,7*, 8A,8B	1*,2,3,7*, 8A,8B	1*,2,3,7*, 8A,8B	1*,2,3,7*, 8A,8B	1*,2,3,7*, 8A,8B
7	Group A test requirements	1,2,3,4**,7, 8A,8B,9,10,11	1,2,3,4**,7, 8A,8B,9,10,11	1,2,3,4**,7, 8A,8B,9,10,11	1,2,3,4**,7, 8A,8B,9,10,11	1,2,3,4**,7, 8A,8B,9,10,11
8	Group B end-point electrical parameters			1,2,3,7,8A, 8A,8B,9, 10,11 Δ		
9	Group C end-point electrical parameters	2,3,7, 8A,8B	1,2,3,7, 8A,8B Δ		1,2,3,7, 8A,8B Δ	1,2,3,7,8A, 8B,9,10,11 Δ
10	Group D end-point electrical parameters	2,3, 8A,8B	2,3, 8A,8B	2,3, 8A,8B	2,3, 8A,8B	2,3, 8A,8B
11	Group E end-point electrical parameters	1,7,9	1,7,9	1,7,9	1,7,9	1,7,9

- 1/ Blank spaces indicate tests are not applicable.
 2/ Any or all subgroups may be combined when using high-speed testers.
 3/ Subgroups 7 and 8 functional tests shall verify the truth table.
 4/ * indicates PDA applies to subgroup 1 and 7.
 5/ ** see 4.4.1c.
 6/ Δ indicates delta limit (see table IIB) shall be required where specified, and the delta values shall be computed with reference to the previous interim electrical parameters (line 1).
 7/ See 4.6.
 8/ See 4.4.1e

STANDARDIZED MILITARY DRAWING DEFENSE ELECTRONICS SUPPLY CENTER DAYTON, OHIO 45444	SIZE A		5962-92155
		REVISION LEVEL	SHEET 15

DESC FORM 193A
 JUL 91

TABLE IIB. Delta limits at +25°C.

Test 1/	Device types
	ALL
I _{IX}	±10 percent of specified value in table I
I _{OZ}	±10 percent of specified value in table I

1/ The above parameter shall be recorded before and after the required burn-in and life tests to determine the delta.

4.4.3.1 Additional criteria for device classes M and B. Steady-state life test conditions, method 1005 of MIL-STD-883:

- a. Test condition D. For device class M, the test circuit shall be maintained by the manufacturer under document revision level control and shall be made available to the preparing or acquiring activity upon request. For device class B, the test circuit shall be submitted to the qualifying activity. For device classes M and B, the test circuit shall specify the inputs, outputs, biases, and power dissipation, as applicable, in accordance with the intent specified in test method 1005.
- b. T_A = +125°C, minimum.
- c. Test duration: 1,000 hours, except as permitted by method 1005 of MIL-STD-883.

4.4.3.2 Additional criteria for device classes Q and V. The steady-state life test duration, test condition, and test temperature, or approved alternatives shall be as specified in the device manufacturer's QM plan in accordance with MIL-I-38535. The test circuit shall be maintained under document revision level control by the device manufacturer's TRB in accordance with MIL-I-38535 and shall be made available to the acquiring or preparing activity upon request. The test circuit shall specify the inputs, outputs, biases, and power dissipation, as applicable, in accordance with the intent specified in test method 1005.

4.4.4 Group D inspection. For group D inspection, end-point electrical parameters shall be as specified in table IIA herein.

4.4.5 Group E inspection. Group E inspection is required only for parts intended to be marked as radiation hardness assured (see 3.5 herein). RHA levels for device classes B, S, Q, and V shall be M, D, R, and H and for device class M shall be M and D.

- a. End-point electrical parameters shall be as specified in table IIA herein.
- b. For device classes M, B, and S, the devices shall be subjected to radiation hardness assured tests as specified in MIL-M-38510 for the RHA level being tested. For device classes Q and V, the devices or test vehicle shall be subjected to radiation hardness assured tests as specified in MIL-I-38535 for the RHA level being tested. All device classes must meet the postirradiation end-point electrical parameter limits as defined in table I at T_A = +25°C ±5°C, after exposure, to the subgroups specified in table IIA herein.
- c. When specified in the purchase order or contract, a copy of the RHA delta limits shall be supplied.

4.5 Programming procedure. The programming procedures shall be as specified by the device manufacturer and shall be made available upon request.

4.6 Delta measurements for device classes B, S, Q, and V. Delta measurements, as specified in table IIA, shall be made and recorded before and after the required burn-in screens and steady-state life tests to determine delta compliance. The electrical parameters to be measured, with associated delta limits are listed in table IIB. The device manufacturer may, at his option, either perform delta measurements or within 24 hours after burn-in perform final electrical parameter tests, subgroups 1, 7, and 9.

STANDARDIZED MILITARY DRAWING DEFENSE ELECTRONICS SUPPLY CENTER DAYTON, OHIO 45444	SIZE A		5962-92155
		REVISION LEVEL	SHEET 16

DESC FORM 193A
 JUL 91

5. PACKAGING

5.1 Packaging requirements. The requirements for packaging shall be in accordance with MIL-M-38510 for device classes M, B, and S and MIL-I-38535 for device classes Q and V.

6. NOTES

6.1 Intended use. Microcircuits conforming to this drawing are intended for use for government microcircuit applications (original equipment), design applications, and logistics purposes.

6.1.1 Replaceability. Microcircuits covered by this drawing will replace the same generic device covered by a contractor-prepared specification or drawing.

6.1.2 Substitutability. Device classes B and Q devices will replace device class M devices.

6.2 Configuration control of SMD's. All proposed changes to existing SMD's will be coordinated with the users of record for the individual documents. This coordination will be accomplished in accordance with MIL-STD-481 using DD Form 1693, Engineering Change Proposal (Short Form).

6.3 Record of users. Military and industrial users shall inform Defense Electronics Supply Center when a system application requires configuration control and which SMD's are applicable to that system. DESC will maintain a record of users and this list will be used for coordination and distribution of changes to the drawings. Users of drawings covering microelectronics devices (FSC 5962) should contact DESC-EC, telephone (513) 296-6047.

6.4 Comments. Comments on this drawing should be directed to DESC-EC, Dayton, Ohio 45444, or telephone (513) 296-5377.

6.5 Symbols, definitions, and functional descriptions.

- C_{IN} Input terminal capacitance.
- C_{OUT} Output terminal capacitance.
- GND Ground zero voltage potential.
- I_{CC} Supply current.
- I_{IX} Input current.
- I_{OZ} Output current.
- T_c Case temperature.
- V_{CC} Positive supply voltage.

6.6 One part - one part number system. The one part - one part number system described below has been developed to allow for transitions between identical generic devices covered by the four major microcircuit requirements documents (MIL-M-38510, MIL-H-38534, MIL-I-38535, and 1.2.1 of MIL-STD-883) without the necessity for the generation of unique PIN's. The four military requirements documents represent different class levels, and previously when a device manufacturer upgraded military product from one class level to another, the benefits of the upgraded product were unavailable to the Original Equipment Manufacturer (OEM), that was contractually locked into the original unique PIN. By establishing a one part number system covering all four documents, the OEM can acquire to the highest class level available for a given generic device to meet system needs without modifying the original contract parts selection criteria.

<u>Military documentation format</u>	<u>Example PIN under new system</u>	<u>Manufacturing source listing</u>	<u>Document Listing</u>
New MIL-M-38510 Military Detail Specifications (in the SMD format)	5962-XXXXZZ(B or S)YY	QPL-38510 (Part 1 or 2)	MIL-BUL-103
New MIL-H-38534 Standardized Military Drawings	5962-XXXXZZ(H or K)YY	QML-38534	MIL-BUL-103
New MIL-I-38535 Standardized Military Drawings	5962-XXXXZZ(Q or V)YY	QML-38535	MIL-BUL-103
New 1.2.1 of MIL-STD-883 Standardized Military Drawings	5962-XXXXZZ(M)YY	MIL-BUL-103	MIL-BUL-103

STANDARDIZED MILITARY DRAWING DEFENSE ELECTRONICS SUPPLY CENTER DAYTON, OHIO 45444	SIZE A		5962-92155
		REVISION LEVEL	SHEET 17

DESC FORM 193A
JUL 91

6.7 Sources of supply.

6.7.1 Sources of supply for device classes B and S. Sources of supply for device classes B and S are listed in QPL-38510.

6.7.2 Sources of supply for device classes Q and V. Sources of supply for device classes Q and V are listed in QML-38535. The vendors listed in QML-38535 have submitted a certificate of compliance (see 3.6 herein) to DESC-EC and have agreed to this drawing.

6.7.3 Approved sources of supply for device class M. Approved sources of supply for class M are listed in MIL-BUL-103. The vendors listed in MIL-BUL-103 have agreed to this drawing and a certificate of compliance (see 3.6 herein) has been submitted to and accepted by DESC-EC.

STANDARDIZED MILITARY DRAWING DEFENSE ELECTRONICS SUPPLY CENTER DAYTON, OHIO 45444	SIZE A		5962-92155
		REVISION LEVEL	SHEET 18

DESC FORM 193A
JUL 91

037968 _ _ _ JUL 0 7 1991